

High - A - Luminous LED



LED lighthoods for undercover or auxiliary lighting in head and tail lights.

Design Features

- 2 Models Available — 6 LEDs and 9 LEDs are next Generation Super Rebel LEDs White, Blue, Red, Amber or Green LEDs
- UV stabilized polycarbonate lens
- 30 Flash Patterns
- Universal Fit for All Vehicles
- Mounts in a 1" Hole (same hole size as a strobe tube)
- Multiple Heads can be Synchronized
- Mounting can be Vertical or Horizontal
- Self-contained and Sealed Control Module — No Need for a Separate Flasher Module
- Aluminum base and advanced thermal heat management system is designed for endless years of trouble free service.
- 9 foot Cable
- Easy Installation: Two screws hold the lamp securely in place.
- IP-68 Waterproof Certified

Specifications

- Input Voltage 10 to 30 Volts DC
- Input Current 2.3 Amps Peak
- Output Power 18 Watt / 27 Watt
- 5 Year Warranty

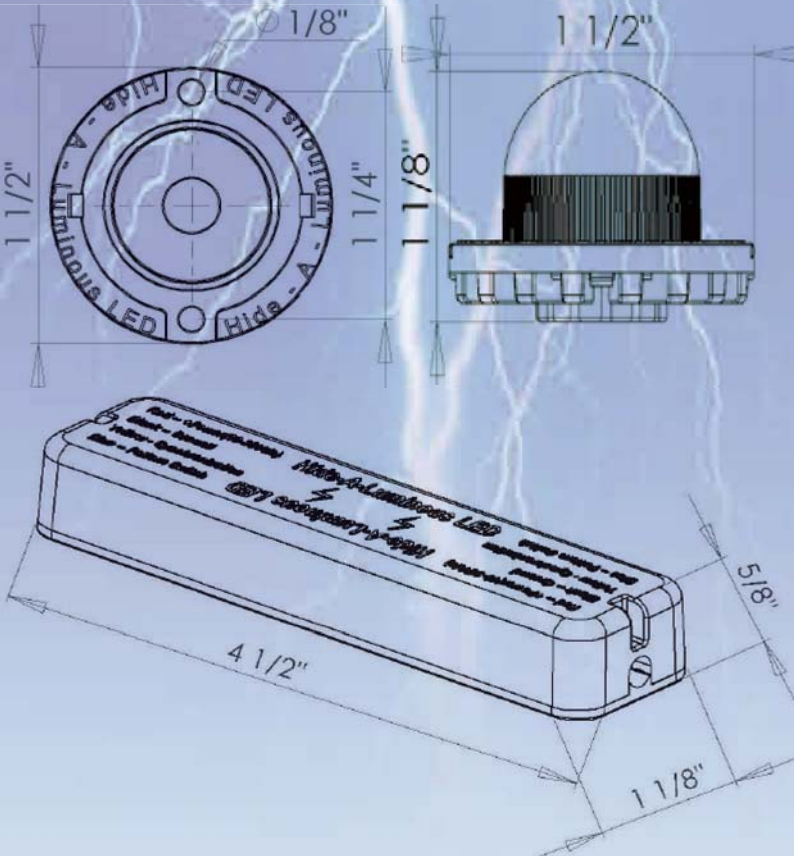


TOPLIGHTING

HIGH A WAY LED SYSTEM



Dimensions



Flash Patterns

NO.	PATTERNS	LAMP SYN	Frequency
1	75FPM Single Flash sim. Phase1	yes	1.25Hz
2	75FPM Single Flash sim. Phase2	yes	1.25Hz
3	75FPM Single Flash Alt.	yes	1.25Hz
4	150FPM Single Flash sim. phase1	yes	2.5Hz
5	150FPM Single Flash sim. phase2	yes	2.5Hz
6	150FPM Single Flash Alt.	yes	2.5Hz
7	75FPM Double Flash sim. Phase1	yes	1.25Hz
8	75FPM Double Flash sim. phase2	yes	1.25Hz
9	75FPM Double Flash Alt.	yes	1.25Hz
10	150FPM Double Flash sim. Phase1	yes	2.5Hz
11	150FPM Double Flash sim. phase2	yes	2.5Hz
12	150FPM Double Flash Alt.	yes	2.5Hz
13	75FPM Quad Flash sim. Phase1	yes	1.25Hz
14	75FPM Quad Flash sim. Phase2	yes	1.25Hz
15	75FPM Quad Flash Alt.	yes	1.25Hz
16	150FPM Quad Flash sim. Phase1	yes	2.5Hz
17	150FPM Quad Flash sim. Phase2	yes	2.5Hz
18	150FPM Quad Flash Alt.	yes	2.5Hz
19	75FPM TripleAlter sim. Phase1	yes	1.25Hz
20	75FPM TripleAlter sim. Phase2	yes	1.25Hz
21	75FPM TripleAlter Alt.	yes	1.25Hz
22	150FPM TripleAlter sim. Phase1	yes	2.5Hz
23	150FPM TripleAlter sim. Phase2	yes	2.5Hz
24	150FPM TripleAlter Alt.	yes	2.5Hz
25	Steady Burn.	-	-
26	ModuFlash sim.	-	-
27	2 Double Flash, 2 TripleAlter sim.	-	-
28	4 Single Flash, 2 Quad sim.	-	-
29	2 Single, 2 Triple, 2 Double Burst	-	-
30	Sequential Back and Forth	-	-
31	OFF	-	-

Note : Simultaneous (Sim.) / alternate(Alt.) / Synchronize(Syn.)



TOPLIGHTING

HIGH A WAY LED SYSTEM